

UC-B130-T

Crestron Flex Wall Mount UC Video Conference System for Microsoft Teams™ Rooms



- *Front-of-room video conferencing solution for Microsoft Teams™*
- *Present, call, conference, and collaborate — all through a single smart soundbar and 10.1 in. tabletop touch screen*
- *Native Microsoft Teams touch screen UX — provides a consistent user experience with simple operation and one-touch meeting joins*
- *Easy to specify and install — no custom design, programming, or software installation required*
- *Easy to provision and manage through Crestron XiO Cloud™ service*
- *Microsoft® Exchange and Office 365® integration with native Microsoft Teams or Skype® for Business support*
- *Connects and communicates securely over any enterprise or Server Message Block (SMB) network*
- *Supports single display configuration*
- *High-powered 2-way stereo speaker smart soundbar with 180° far-field adaptive beamforming microphone array, advanced AEC & DSP technology, and HDMI® input for laptop and other AV content sources*
- *10.1 in. (257 mm) tabletop color touch screen with onscreen calendaring and meeting management and optional control of room lighting, shades, thermostats, and other equipment¹*
- *Enterprise-grade security*
- *Complete kit contains the Crestron® smart soundbar, Logitech® C930e camera, touch screen, UC Engine assembly, power supplies, and 1-year Crestron XiO Cloud Premium subscription²*

The Crestron Flex UC-B130-T system provides a video conference room solution for use with the Microsoft Teams intelligent communications platform. It supports a single video display, and features the Crestron UC Video Conference Smart Soundbar (UC-SB1-FLEX), which comprises a high-performance, full-duplex conferencing speakerphone in one wall mountable device. Control of the complete system is provided via a high-definition 10.1 in. tabletop touch screen.

Native Microsoft Teams™ Experience

Microsoft Teams is the hub for teamwork in Office 365® software, engaging people and bringing them together through messaging, voice over IP, online meetings, conferencing, content sharing, and collaboration. The UC-B130-T system brings the full Microsoft Teams UC experience to any meeting space in an enterprise or SMB facility, whether implementing a cloud based Microsoft Teams deployment, on-premises Skype for Business, or a hybrid of the two.

Crestron® Smart Soundbar

An all in one incredible front-of-room device, the UC-SB1-FLEX eliminates the need to install additional microphones or speakers. Mounted on the wall or placed on a credenza beneath the display(s), the smart soundbar looks great and sounds even better. Its high-powered stereo speakers, adaptive beamforming microphone, and advanced digital signal processing deliver exceptional full-duplex speakerphone performance with highly intelligible, echo-free voice clarity. Its compact, all-in-one design reduces clutter on the conference table, and even accommodates rooms with no table at all.

When mounting on a wall, installation is a breeze using the integral hinged mounting bracket, which attaches easily to the wall and allows the soundbar to be tipped forward for full access to the rear panel connections.

The soundbar's integrated 180° far-field microphone array faithfully captures voices throughout the room using adaptive beamforming technology to focus in on whoever is speaking. Its high-powered, two-way stereo speakers produce full, rich and real sounding audio for both voice and program material. High-performance AEC technology achieves transparent full-duplex performance free of distracting echo or noise. Wideband audio codec support allows for full-spectrum, bidirectional voice communication.

The smart soundbar features a multicolor LED status bar, which displays the volume setting and changes color to indicate operation and mute status.

Rev 05/20/19

UC-B130-T

Crestron Flex Wall Mount UC Video Conference System for Microsoft Teams™ Rooms

10.1 in. Touch Screen

With its clean, contemporary design highlighted by edge-to-edge glass and stunning color graphics, the Crestron TSW-1060 series touch screen makes an elegant statement on any tabletop. PoE (Power over Ethernet) connectivity and a range of mounting options make installation simple for both new and retrofit applications. Voice commands and the screen's five soft-touch buttons make presenting content, scheduling meetings, and connecting with the rest of your team effortless.

Tabletop Kit for TSW-1060

The TSW-1060-TTK provides a stylish and convenient tabletop enclosure for a TSW-1060 Touch Screen. The touch screen is angled when installed in the enclosure. The complete assembly may be placed on any flat, level surface. Wiring may be passed out the rear of the enclosure through a grommet and strain relief, or routed through the bottom for a very clean, cordless appearance.

UC-ENGINE Assembly

All the capabilities of a complete Microsoft Teams video conferencing and content sharing solution are empowered by the UC Engine. For ultimate performance, Crestron employs a powerful Intel® NUC Mini PC running Microsoft® software with built-in Crestron XiO Cloud provisioning. The UC Engine forms the core of the UC-B130-T system, providing extreme processing performance, Gigabit Ethernet, and complete connectivity for one HD display and the smart soundbar.

Presenting and sharing content from a laptop PC is facilitated through a single HDMI® input, supporting full-motion HD video and audio via the included HDMI to USB converter. The converter and UC Engine are mounted together on a bracket, which comes fully pre-assembled and ready to install behind the display device.

Network Management and Security

Crestron Flex is an enterprise-grade solution, engineered in partnership with Microsoft to integrate seamlessly into any Microsoft Teams or Skype for Business deployment. Crestron Flex is ideally equipped for mass deployment throughout any-sized corporate, university, medical, military, or governmental facility.

IoT cloud based provisioning enables complete network configuration in advance of hardware delivery, with touchless updates following installation. Crestron Fusion® or Crestron XiO Cloud management enables monitoring and logging of room and equipment usage, as well as centralized help desk support. Advanced security features ensure privacy, reliability, and compliance with your organization's IT policies.

Crestron XiO Cloud™ Provisioning and Management Service

The UC-B130-T is compatible with the Crestron XiO Cloud™ service, which is an IoT (Internet of Things) based platform for remotely provisioning, monitoring, and managing Crestron devices across an enterprise or an entire client base. The service enables installers and IT managers to deploy and manage thousands of devices in the amount of time it would ordinarily take to manage just one. For more information, visit www.crestron.com/xiocloud.

UC-B130-T

Crestron Flex Wall Mount UC Video Conference System for Microsoft Teams™ Rooms

Specifications

Included Components

UC-SB1-FLEX: UC video conference smart soundbar

TSW-1060-B-S: 10.1 in. touch screen, black

TSW-1060-TTK-B-S: Tabletop kit for touch screen, black

UC-BRKT-100-SD-ASSY: UC Engine Assembly, comprised of:

UC-ENGINE-SD: UC Engine for Microsoft Teams video;

HD-CONV-USB-200: HDMI to USB 3.0 converter for content ingest;

UC-CONN-HD: EDID emulator for UC Engine display output;

Mounting bracket

CCS-CAM-USB-F-100: Logitech® Webcam C930e

CBL-CAT5E-7: (2) Ethernet LAN cables for UC Engine, RJ45-to-RJ45, black, 7 ft (2.1 m)

PWE-4803RU: PoE injector for touch screen

Smart Soundbar

Speakers: Stereo 2-way, 20 watts per channel, 3 in. (76 mm) woofers, 3 x 4-3/8 in. (76 x 112 mm) passive radiators, 1 in. (25 mm) dome tweeters, 80 Hz to 20 kHz (±3 dB) frequency response, 91 dB SPL @ 1 m output level (both channels driven at full power)

Microphone: Linear quad-element far-field adaptive beamforming microphone array, 23 ft (7 m) pickup range, 180° horizontal pickup angle, 20 Hz to 8 kHz frequency response

Audio DSP: Acoustic echo cancellation, dereverberation, automatic gain control, dynamic noise suppression, adaptive beamforming, speaker volume control; full-duplex IEEE 1329 Type 1 compliant

USB: USB 3.0 Type-B port; UAC 1.0, UVC 1.1, & HID; 2-channel stereo far-end/content signal input, 2-channel mono microphone signal output, camera output; for audio, video, and communications interface to UC Engine

Analog Audio Input: 2-Channel stereo via 3.5 mm TRS mini-phone jack, fixed level (bypasses DSP), 1 Vrms maximum per channel for full rated output, for in-room amplification of an external audio source

Analog Audio Output: 2-Channel stereo via 3.5 mm TRS mini-phone jack, fixed level, 1 Vrms maximum, feeds amplified audio content to an assistive listening system

Status Bar: (1) Multi-segment RGBY LED zero-center mutually diverging linear bargraph; Indicates the speaker volume, microphone mute, and speaker mute in red and green LEDs

Main Power: IEC 60320 C14 main power inlet (power cord included), 500 mA maximum @ 100-240 VAC, 50/60 Hz

Enclosure: Lightly textured gunmetal black finish, plastic housing, perforated stainless steel grilles, die-cast aluminum rear cover, steel hinged mounting bracket

Mounting: Freestanding or surface wall mount at ear/face level

Dimensions:

Height: 4.57 in. (117 mm)

Width: 43.60 in. (1108 mm)

Depth: 3.90 in. (100 mm)

Weight: Approximately 15 lb (6.8 kg)

Refer to the [UC-SB1-FLEX](#) spec sheet for additional specifications and compliances.

Camera

Model: Logitech® Webcam C930e

Field of View: 90° diagonal

Connectivity: Plug-and-play USB 2.0

Resolution/FPS: Full HD 1080p/30, HD 720p/30

HD Digital Zoom: 4x, 1080p

Auto-Light Correction: RightLight™ 2

Dimensions:

Height: 1.14 in. (29 mm), 1.7 in (43.3 mm) with clip

Width: 3.70 in. (94 mm)

Depth: 0.95 in. (24 mm), 2.8 in (71 mm) with clip

Weight: 5.7 oz (162 g), 5.7 oz (162 g) with clip and cable

Refer to the [CCS-CAM-USB-F-100](#) specifications for additional information.

Tabletop Touch Screen

Touch Screen: 10.1 in. (257 mm) diagonal capacitive multi-touch TFT active matrix color LCD, 1280 x 800 pixels, displays Microsoft Teams UI plus optional Crestron Smart Graphics® room control UI¹

Ethernet: 10/100 Mbps; enterprise grade security and management including IEEE 802.1X, Active Directory® authentication, SSL, TLS, SSH, SFTP (SSH File Transfer Protocol), digest access authentication, password login, HTTPS secure provisioning, Crestron XiO Cloud client, IEEE 802.3at compliant

Rev 05/20/19

UC-B130-T

Crestron Flex Wall Mount UC Video Conference System for Microsoft Teams™ Rooms

Power over Ethernet: IEEE 802.3at compliant PoE or PoE+ PD (Powered Device);

- Requests 15 Watts from an 802.3at Type 2 PSE with LLDP advanced power management;
- Requests 30 Watts (PoE+ Class 4) from an 802.3at Type 2 PSE without LLDP;
- Requests 15.4 Watts (PoE Class 0) from an 802.3af (or 802.3at Type 1) PSE

PoE Injector: A PoE injector is included to power the touch screen if network PoE is not available

Construction: Plastic tabletop housing, smooth black finish, edge-to-edge glass with black surround

Dimensions:

Height: 5.42 in. (138 mm)

Width: 10.23 in. (260 mm)

Depth: 5.69 in. (145 mm)

Weight: 41.2 oz (1166 g)

Refer to the [TSW-1060-B-S](#), [TSW-1060-TTK-B-S](#), and [PWE-4803RU](#) spec sheets for additional specifications and compliances. One additional TSW-1060 series touch screen may be added.

UC Engine Assembly

Mini PC: Intel NUC Kit NUC8i5BEK

Processor: Intel Core™ i5-8259U processor (2.3 GHz with 3.8GHz Turbo, Quad Core, Hyper-thread, 6 MB Cache, 28W TDP)

UC Client: Microsoft Teams or Skype for Business

Management Client: Crestron XiO Cloud, Microsoft Intune®

USB:

Content Ingest: HDMI input via HDMI to USB 3.0 converter (model HD-CONV-USB-200)

Display Output: DisplayPort 1.2 via USB Type-C™ port, converted to HDMI via converter cable

Camera Input Resolution: HD 1080p @ 30 fps

Content Input Resolution: HD 1080p @ 60 fps

Display Output Resolution: HD 1080p @ 60 fps

Power: 19 VDC via external 100-240 VAC, 50/60 Hz adapter (included)

Construction: Metal mounting bracket, black, preassembled with UC Engine and USB to HDMI converter

Mounting: Surface wall mount behind the display device, or attach to the rear of the display device via the bolts attaching the display to a VESA® compliant display mount; the Crestron bracket includes mounting holes on both side edges, spaced 100, 200, and 300 mm vertically, to allow for attachment to either side of the display mounting plate

Refer to the [UC-ENGINE-SD](#), [HD-CONV-USB-200](#), and [UC-BRKT-100-SD-ASSY](#) spec sheets for additional specifications and compliances.

Models & Accessories

Available Models

UC-B130-T

Crestron Flex Wall Mount UC Video Conference System for Microsoft Teams™ Rooms

Included Accessories

UC-SB1-FLEX

UC Video Conference Smart Soundbar

TSW-1060-B-S

10.1 in. Touch Screen, Black Smooth

TSW-1060-TTK-B-S

Tabletop Kit for TSW-1060, Black Smooth

UC-BRKT-100-SD-ASSY

UC Engine Assembly with UC-ENGINE-SD, HD-CONV-USB-200, & UC-CONN-HD

CCS-CAM-USB-F-100

Logitech® Webcam C930e

CBL-CAT5E-7

(2) CAT5e Cable, RJ45-to-RJ45, Black, 7 ft (2.1 m)

PWE-4803RU

PoE Injector

Available Accessories

TSW-560/760/1060-SMK

Swivel Mount Kit for TSW-x60-TTK Series

CBL-AUDIO-6

Crestron® Certified Mini-TRS Stereo Audio Interface Cable, 6 ft

UC-B130-T

Crestron Flex Wall Mount UC Video Conference System for Microsoft Teams™ Rooms

Notes:

1. Room control capability (lighting, shades, thermostats, etc.) requires additional equipment and commissioning to be provided by a Crestron authorized integrator and/or programmer. Additional costs may apply.
2. Complimentary Crestron XiO Cloud subscriptions are subject to the terms of the Crestron Cloudware License Agreement at <https://www.crestron.com/cloudwarelicensepdf>, as well as additional terms of the Crestron Cloudware License Agreement Addendum at <https://www.crestron.com/cloudwarelicenseaddendumpdf>, which control in any conflict with the Agreement. Complimentary subscriptions may be applied to new accounts only. New UC-P110-T phones may be added to existing Crestron XiO Cloud subscription accounts at a discounted rate. An additional purchase toward the existing subscription account term may be required. For more information, please contact license@crestron.com.

This product may be purchased from an authorized Crestron dealer. To find a dealer, please contact the Crestron sales representative for your area. A list of sales representatives is available online at www.crestron.com/How-To-Buy/Find-a-Representative or by calling 855-263-8754.

The specific patents that cover Crestron products are listed online at www.crestron.com/legal/patents.

Certain Crestron products contain open source software. For specific information, visit www.crestron.com/opensource.

Crestron, the Crestron logo, Crestron Fusion, DigitalMedia, Smart Graphics, and XiO Cloud are either trademarks or registered trademarks of Crestron Electronics, Inc. in the United States and/or other countries. HDMI and the HDMI Logo are either trademarks or registered trademarks of HDMI Licensing LLC in the United States and/or other countries. Intel, Intel Core, and Intel Iris are either trademarks or registered trademarks of Intel Corporation in the United States and/or other countries. Logitech and RightLight are either trademarks or registered trademarks of Logitech International S.A. in the United States and/or other countries. Microsoft, Active Directory, Microsoft Intune, Microsoft Teams, Office 365, Skype, and Windows are either trademarks or registered trademarks of Microsoft Corporation in the United States and/or other countries. Sony is either a trademark or registered trademark of Sony Corporation in the United States and/or other countries. USB Type-C and USB-C are either trademarks or registered trademarks of USB Implementers Forum, Inc. in the United States and/or other countries. VESA is either a trademark or registered trademark of Video Electronics Standards Association in the United States and/or other countries. Other trademarks, registered trademarks, and trade names may be used in this document to refer to either the entities claiming the marks and names or their products. Crestron disclaims any proprietary interest in the marks and names of others. Crestron is not responsible for errors in typography or photography. Specifications are subject to change without notice. ©2019 Crestron Electronics, Inc.

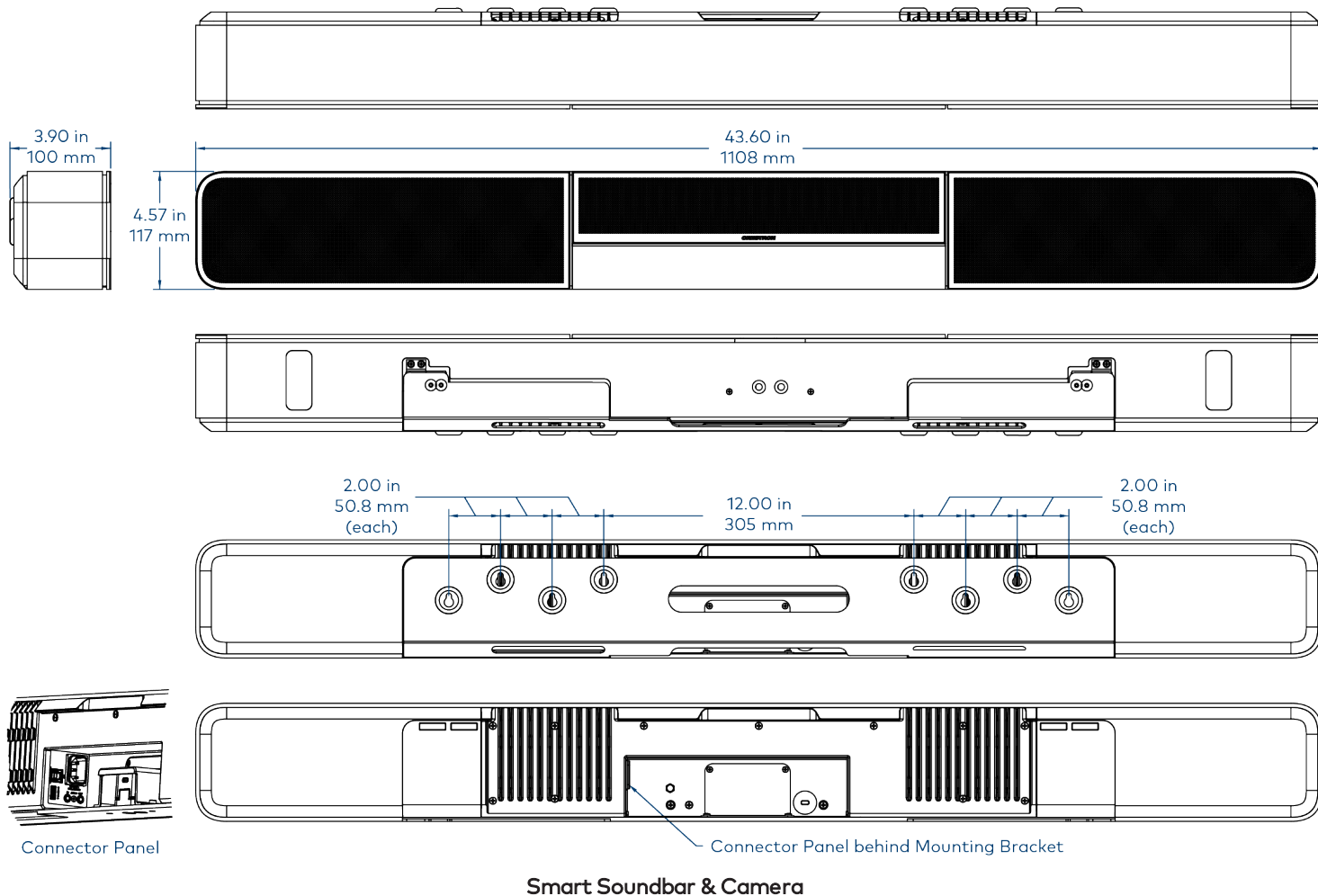
Specifications are subject to change without notice.

©2019 Crestron Electronics, Inc.

Rev 05/20/19

UC-B130-T

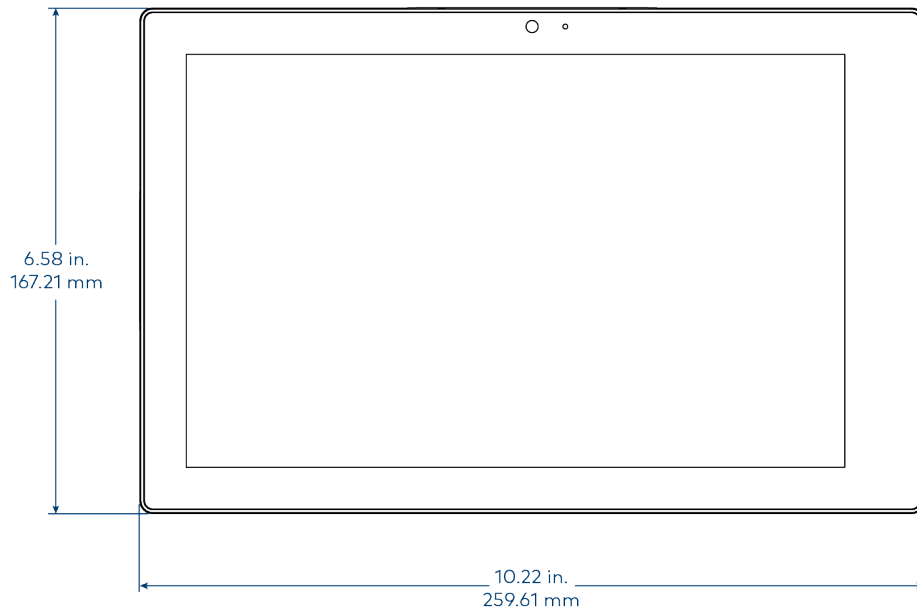
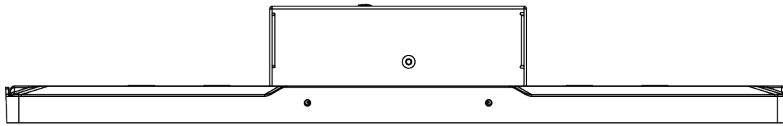
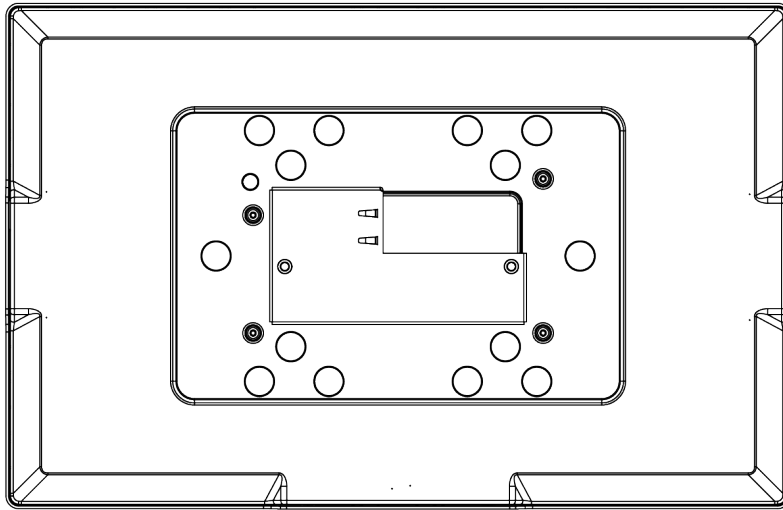
Crestron Flex Wall Mount UC Video Conference System for Microsoft Teams™ Rooms



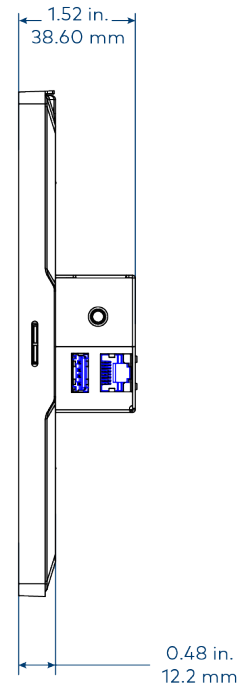
Rev 05/20/19

UC-B130-T

Crestron Flex Wall Mount UC Video Conference System for Microsoft Teams™ Rooms



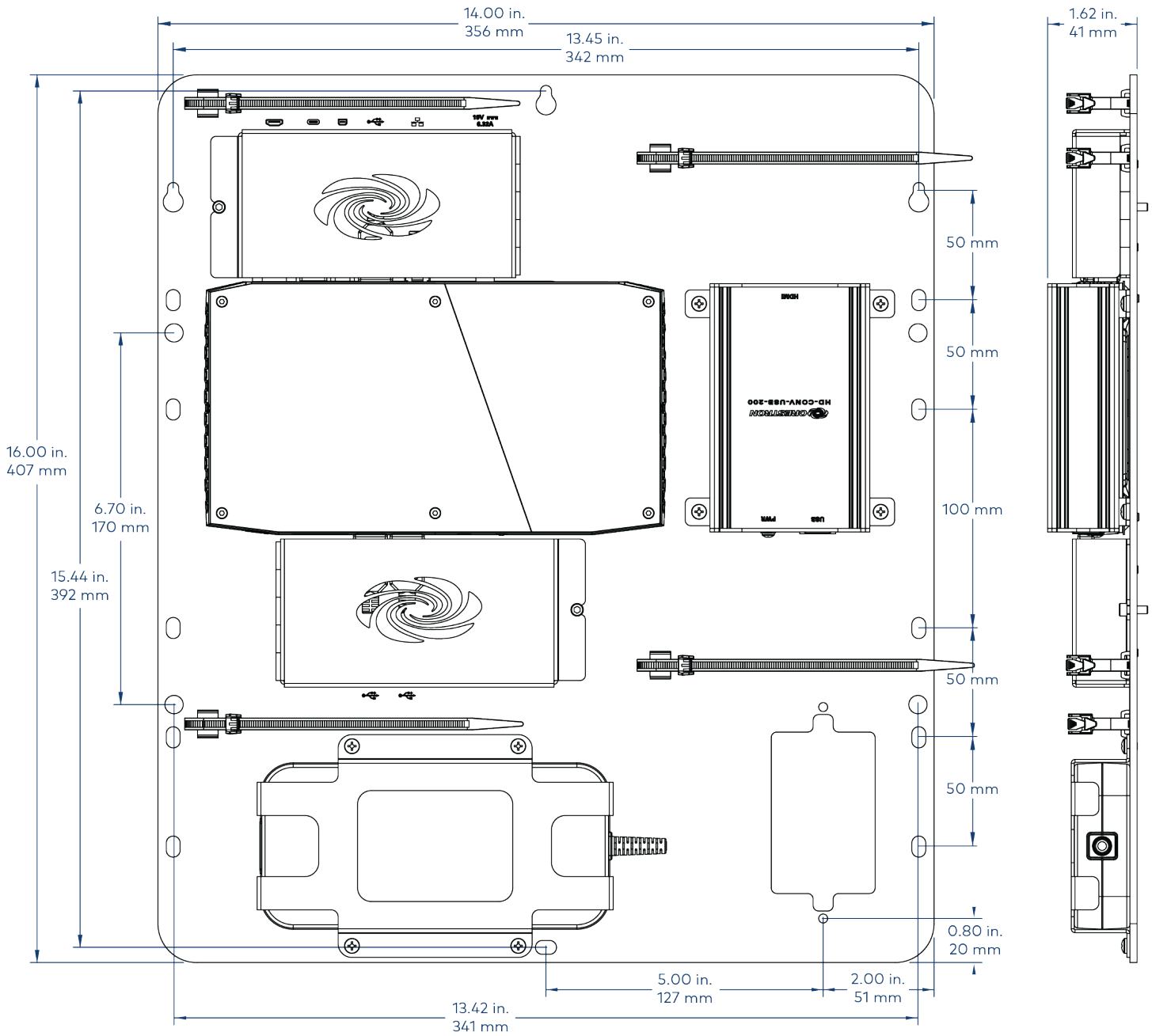
Touch Screen



Rev 05/20/19

UC-B130-T

Crestron Flex Wall Mount UC Video Conference System for Microsoft Teams™ Rooms



UC Engine Assembly

Rev 05/20/19